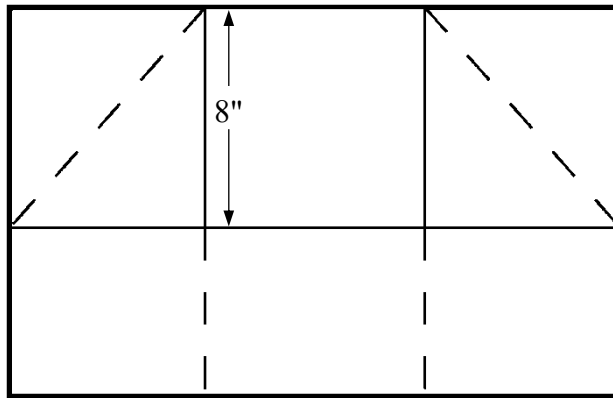


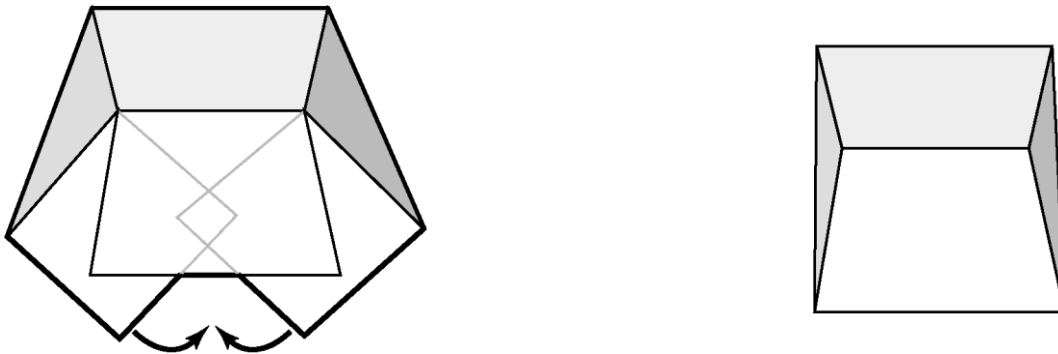
Constellation Model Frame

Cut a piece of poster board exactly in half width-wise. You will only need one of the halves, When I tried this my piece measured $14 \frac{1}{8}'' \times 22 \frac{3}{16}''$. Someone else can use the other half, or you can use someone else's second half.

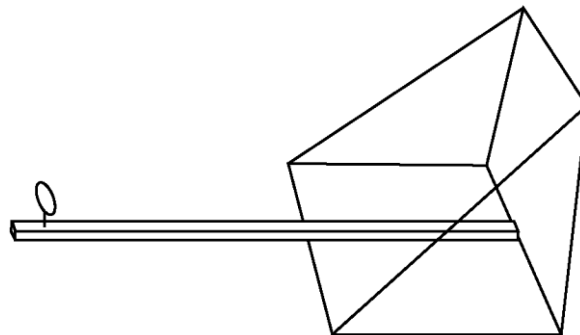
The heart of the frame is the $8'' \times 8''$ screen for mounting the constellation. Mark an $8'' \times 8''$ square at the center of the long edge of your poster board. On my board, the sides of the square were each $7 \frac{1}{8}''$ from each short side. Extend the edge lines for your square to the limits of the poster board as shown.



Cut the poster board along the dashed lines. Fold inward along the solid lines, sliding the two side tabs under the platform in front of the screen. Glue the tabs in place.



Finally, center the wooden strut on the glued platform with the screw eye on top. Center the strut and glue in place.



Placing the Stars

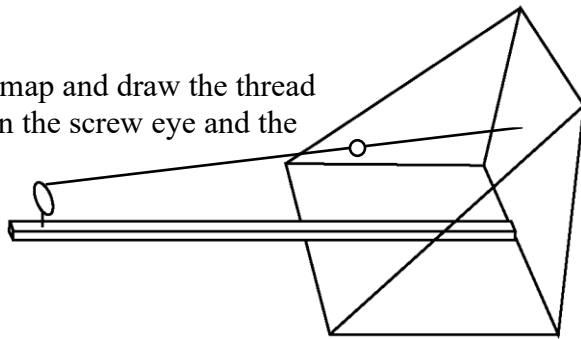
Glue your star map to the inside back panel of the model frame, so that you can see the star map when you look down the strut. The map is produced so that the stars are at the correct angular separation when your eye is at the location of the screw eye.

Select a bead for each star. Most of the beads are the same, but some are a little larger than others, and some are different colors. If you want to emphasize a star with an unusual size of temperature, you may choose a bead to match.

Obtain a length of thread, enough to go from the screw eye to the star map and back several times. Tie one end of the thread securely to the screw eye. At the other end, thread a needle. String a bead in the thread and loop the thread around the bead once to allow you to fix the bead in place.



Pierce the needle through one of the stars on the map and draw the thread through the hole, leaving the strung bead between the screw eye and the frame.



From the back of the frame, pierce the needle through another star. Attach a bead to the thread, draw the thread through the screw eye, and continue until all the stars on your map have beads strung to them. Be careful not to draw the thread tight; that will cause the frame to distort.

With the beads threaded as instructed, you can position a bead by relaxing the thread a little and sliding the bead along the thread to its proper place.

When you made the star map, you calculated the distance from the screw eye to each bead to make the proper scale. To complete your model, adjust the beads so that they are at the proper distances.